



Zone Sports Flood (ZNF)

Outdoor Sports Flood Light



OVERVIEW

Lumen Output Range	70,000 -100,000
Wattage	450-750
Efficacy Range (LPW)	up to 160
Fixture Weight lbs (kg)	42(19) max.

QUICK LINKS

[Ordering Guide](#)[Performance](#)[Photometrics](#)[Dimensions](#)

FEATURES & SPECIFICATIONS

Construction

- Rugged die-cast aluminum housing in the 70L and 85L. Cold forged aluminum in the 100L for superior heat dissipation.
- Driver is separated from light engines increasing driver and LED life.
- Housing shroud (optional) is formed aluminum.
- Mounting Brackets are 12 ga formed steel.
- Fixtures are finished with polyester powder coat finishing process to withstand extreme weather changes without cracking or peeling.
- 9 ft. power cord included with the fixture.
- Shipping weight (in carton) - 42 lbs (19 kg).
- IP66
- EPA 2.5
- Meets 3G Vibration Testing under the ANSI C136.31-2018 Testing Standard

Optical System

- State-of-the-Art sports flood optics available in 4 unique NEMA flood distributions.
- Glare shield visor (optional) is formed aluminum to reduce high angle glare.
- Available in 5000K and 4000K.
- Minimum CRI of 70.

Electrical

- 0-10V dimming (10% - 100%) standard.
- Universal Voltage (120-277 VAC) Input 50/60 Hz or High Voltage (347-480 VAC).
- Operating temperature: -40°C to +50°C (-40°F to +122°F).
- L80 Calculated Life: >70k Hours (See Lumen Maintenance on Page 2)
- Total harmonic distortion: <20%
- High-performance driver features overvoltage, under-voltage, short-circuit and over temperature protection.
- Power factor: >.90
- Input power stays constant over life.
- Field replaceable 20kV surge protection device meets a minimum Category C Low operation (per ANSI/IEEE C62.41.2).
- High-efficacy LEDs mounted to metal-core circuit board to maximize heat dissipation for long life.
- Driver is fully encased in potting material for moisture resistance and complies with FCC standards.

Installation

- Heavy duty yoke mounting to standard sports bracket with 3/4" bolt.
- Vertical aiming is easily locked in place with ergonomic tool-less locking handle.

- Horizontal and vertical aiming guides to simplify aiming process. Laser sight accessory for precise aiming accuracy.

Warranty

- LSI luminaires carry a 5-year limited warranty. Refer to <https://www.lsicorp.com/resources/terms-conditions-warranty/> for more information.

Listings

- ETL Listed to UL 1598 and UL 8750.
- Suitable for wet locations.
- IP66 rated Luminaire per IEC 60598-1.
- Meets Buy American Act requirements.

Specifications and dimensions subject to change without notice.





Zone Sports Flood

ORDERING GUIDE

[Back to Quick Links](#)TYPICAL ORDER EXAMPLE: **ZNF 100L MF UNV 50 BLK GS**

Prefix	Lumen Package	Distribution	Voltage	CCT	Finish	Options
ZNF - Zone Sports Flood	70L - 70,000 lumens 85L - 85,000 lumens 100L - 100,000 lumens Custom Lumen Outputs Available ¹	VNF - 2x2 ³ NF - 3x3 MF - 4x4 MWF - 5x5	UNV - Universal Voltage (120-277V) HV - High Voltage (347-480V)	40 - 4000K 50 - 5000K	BLK - Black	GS - Glare Shield Visor SH - Housing Shroud MY - Modified Yoke ²

Accessory Ordering Information

Description	Order Number
Laser Sight	773143
Glare Shield Visor	771379
Tenon Top Adapter ²	771444BLK

FOOTNOTES:

- 1 - Custom lumen and wattage packages available, consult factory. Values are within industry standard tolerances but not DLC listed
2 - Option MY must be ordered with Tenon Top Adapter accessory.
3 - Only available in 100L.

PERFORMANCE

[Back to Quick Links](#)

DELIVERED LUMENS (ZNF)*										
Lumen Package	Distribution	NEMA	Field Angle H x V	4000K CCT			5000K CCT			Wattage
				Delivered Lumens	Efficacy	Max Beam Candlepower	Delivered Lumens	Efficacy	Max Beam Candlepower	
70L	NF	3 x 3	45 x 45	70,921	157	281,850	70,921	157	281,850	453
	MF	4 x 4	58 x 58	71,277	157	192,400	71,277	157	192,400	453
	MWF	5 x 5	76 x 76	69,157	154	127,970	69,157	154	127,970	449
85L	NF	3 x 3	45 x 45	84,570	154	334,980	84,570	154	334,980	550
	MF	4 x 4	59 x 59	83,985	156	224,090	83,985	156	224,090	540
	MWF	5 x 5	76 x 76	82,673	150	153,390	82,673	150	153,390	552
100L	VNF	2 x 2	25 x 25	90,422	125	827,860	90,422	125	827,860	726
	NF	3 x 3	46 x 46	106,225	144	413,920	106,225	144	413,920	739
	MF	4 x 4	57 x 57	106,410	144	288,170	106,410	144	288,170	739
	MWF	5 x 5	77 x 77	106,996	145	195,920	106,996	145	195,920	739

*LEDs are frequently updated therefore values are nominal

ELECTRICAL DATA*						
Lumens	120V	208V	240V	277V	347	480V
70L	3.94	2.27	1.97	1.71	1.36	0.98
85L	4.82	2.78	2.41	2.08	1.66	1.20
100L	6.57	3.79	3.28	2.84	2.27	1.64

*Electrical data at 25°C (77°F). Actual wattage may differ by +/-10%.

RECOMMENDED LUMEN MAINTENANCE ¹					
Ambient Temp	Lumen Multiplier				
	0 hrs. ²	25K hrs. ²	50K hrs. ²	70K hrs. ³	100K hrs. ³
C	100%	93%	86%	80%	74%
0°C - 40°C	100%	93%	86%	80%	74%

- 1 - Lumen maintenance values at 40C are calculated per TM-21 based on LM-80 data and in-situ testing.
- 2 - In accordance with IESNA TM-21-11, Projected Values represent interpolated value based on time durations that are within six times the IESNA LM-80-08 total test duration for the device under testing.
- 3 - In accordance with IESNA TM-21-11, Calculated Values represent time durations that exceed six times the IESNA LM-80-08 total test duration for the device under testing.

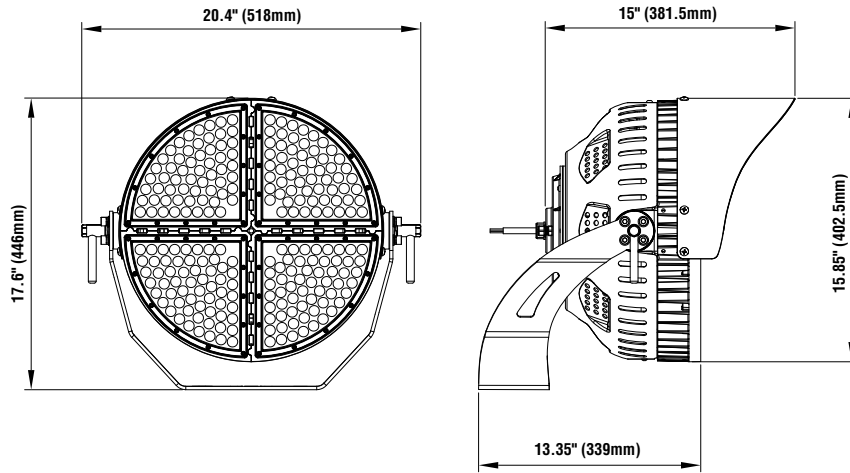




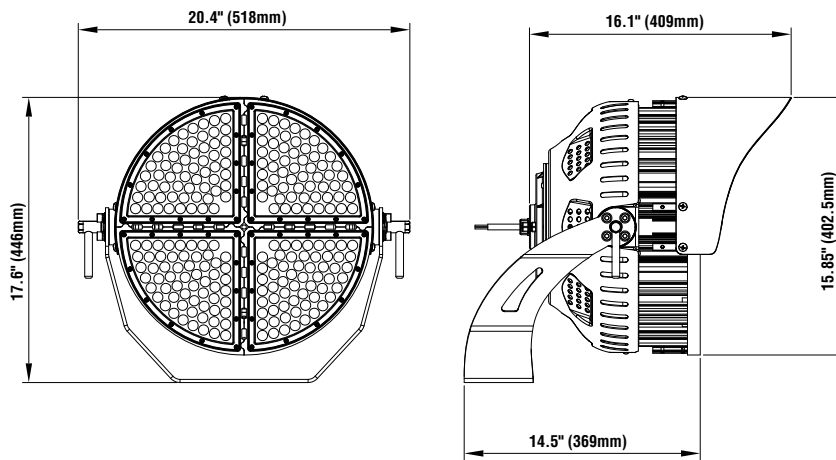
Zone Sports Flood

PRODUCT DIMENSIONS

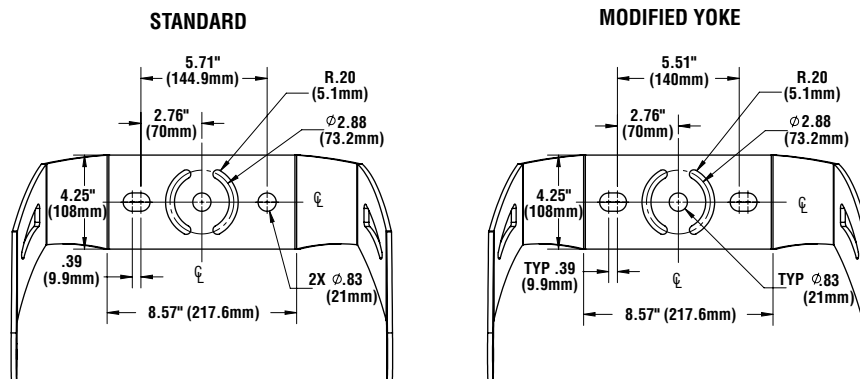
[Back to Quick Links](#)



70L & 85L



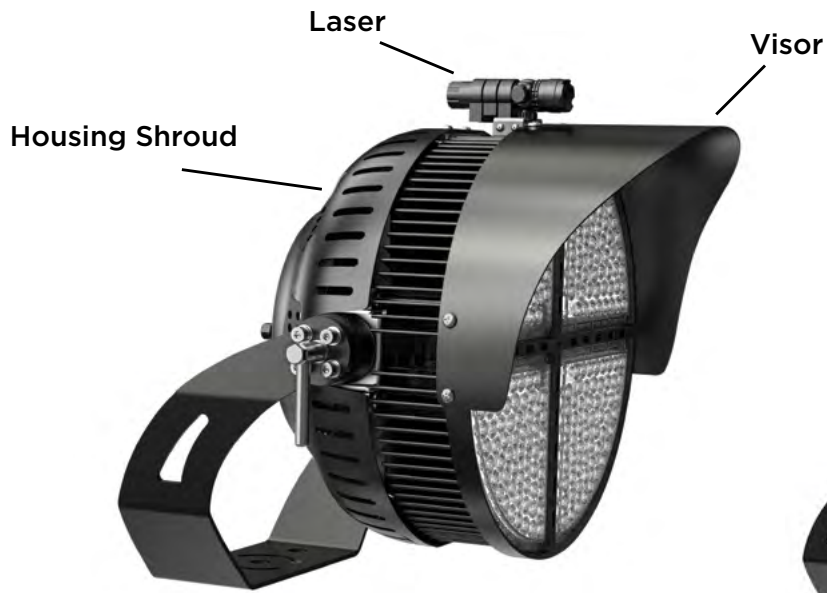
100L





Zone Sports Flood

ACCESSORIES



Shown without housing shroud